

LED Interior Dome Lights

Ultrabright, low profile surface mount LED area lights are energy efficient and produce little heat, making them ideal lights for many applications. Multiple-diode design provides bright, even light output while conserving power. Diodes produce little heat and last up to 100,000 hours—no bulbs to replace. Impact resistant, polycarbonate housing and lens. Designed for 12VDC systems. Hard wired design includes both lead and ground wires for mounting to all surfaces. Choose from three sizes: 8-inch, 16-inch and 24-inch.




Low profile - 1" wide by 1/2" high!



Specifications

Model No.	Description	Diodes	Amp Draw		Pack	Qty.
			12VDC			
ILL70CB	8-in. strip light	9	0.150A		Bulk	10
ILL71CB	16-in. strip light	18	0.300A		Bulk	10
ILL72CB	24-in. strip light	27	0.480A		Bulk	10

- 
- LED's are Brighter than Conventional Lights
 - No Bulbs to Replace—Ever!
 - Use 90% Less Energy
 - Safe, Dependable Service
 - 100% Maintenance Free

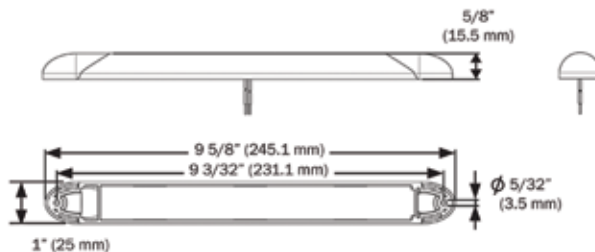
PRODUCT DATA

ILL70/71/72 SERIES

OpTRONICS®

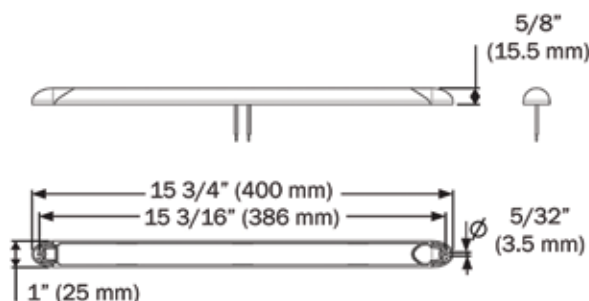
ILL70CB

Material: Polycarbonate
Diodes: 9
Lumens: 189 raw lumens / 171 effective lumens
Voltage: 12VDC
Amp Draw: 0.150A
Mounting: Surface mount, 5/32" mounting holes on 9-3/32" centers
Wiring: Lead and ground wires, 4"



ILL71CB

Material: Polycarbonate
Diodes: 18
Lumens: 370 raw lumens / 342 effective lumens
Voltage: 12VDC
Amp Draw: 0.300A
Mounting: Surface mount, 5/32" mounting holes on 15-3/16" centers
Wiring: Lead and ground wires, 4"



ILL72CB

Material: Polycarbonate
Diodes: 27
Lumens: 567 raw lumens / 513 effective lumens
Voltage: 12VDC
Amp Draw: 0.480A
Mounting: Surface mount, 5/32" mounting holes on 21-9/32" centers
Wiring: Lead and ground wires, 4"

