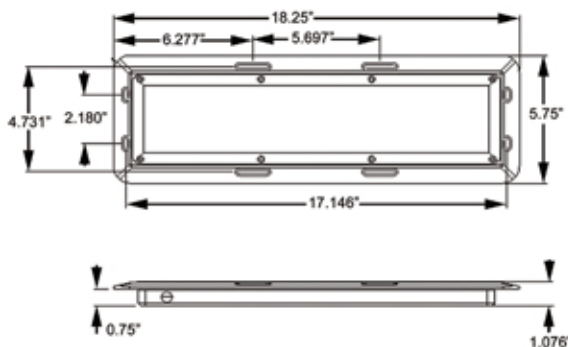


LED Interior Light

Ultrabright, flange mount LED area light designed for dependable use in extreme temperatures (-40 to 140°F). Eight-diode design provides bright light output while conserving power. Diodes produce little heat and last up to 100,000 hours—no bulbs to replace. Corrosion proof, polycarbonate housing and lens—same material as bullet proof glass. Operating voltage 7-30VDC, appropriate for use with 12VDC and 24VDC systems; light output remains consistent at all operating voltages (no dimming), cutting off when dropping below or rising above limits. Hard wired design includes both lead and ground wires for mounting to all surfaces. 16-inch, 16 gauge leads with tinned ends.



PATENT PENDING

Specifications

Model No.	Description	Diodes	Amp Draw	Pack	Qty.
ILL-08COB	LED interior light	8	1.61A / 12VDC 0.80A / 24VDC	Bulk	6

Light output: 80 lumens per diode, powered at 750mA



- LED's are Brighter than Conventional Lights
- No Bulbs to Replace—Ever!
- Use 90% Less Energy
- Safe, Dependable Service
- 100% Maintenance Free