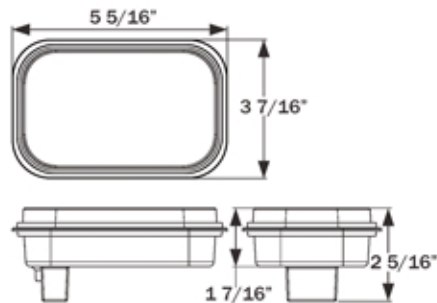


All products conform to DOT/SAE/FMVSS/CMVSS 108 requirements where applicable

LED Back-Up Light

Sealed, flush mount clear LED back-up light. Sixteen diodes. Features sonically sealed, waterproof lens and housing in a single unit. All-weather molded polycarbonate housing and lens protect against corrosion. Accepts industry standard 2-way plug. Requires mounting grommet and plug to complete installation. Certified for back-up light function when installed as pair in two-lamp system.



Specifications

Model No.	Description	Diodes	Amp Draw		Pack	Qty.
			12VDC			
BUL35CB	Grommet mount back-up light	16	0.295A		Bulk	10

DOT
 FMVSS 108
 COMPLIANT

LED

TECHNOLOGY

- LED's are Brighter than Conventional Lights
- No Bulbs to Replace—Ever!
- Use 90% Less Energy
- Safe, Dependable Service
- 100% Maintenance Free